

Keysight Technologies

Low PIM Coaxial Switches

DC to 26.5 GHz





Introduction

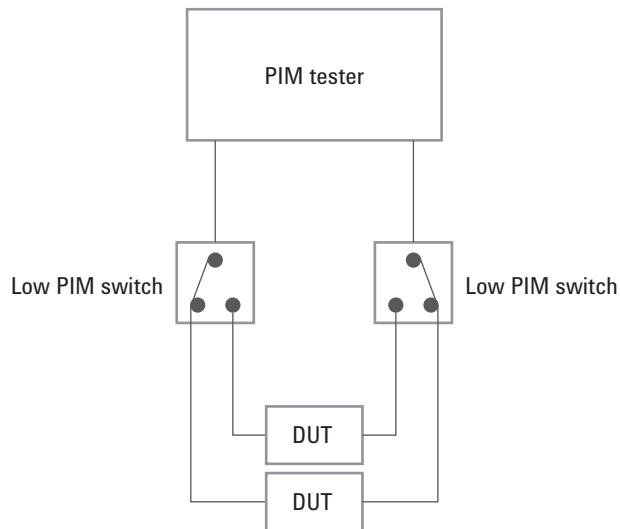
Keysight Technologies, Inc. low PIM coaxial switches provide ultra-low passive intermodulation (PIM) performance for applications where two or more transmitted signals share a common antenna or whenever the transmitter signal is too high or the receiver is sensitive to high intermodulation. These low PIM switches can help to keep the system PIM level low. A guaranteed 0.03 dB insertion loss repeatability and 3 million cycles of operating life ensures signal integrity, improves testing efficiency, and ultimately maximizes test throughput.

Target markets

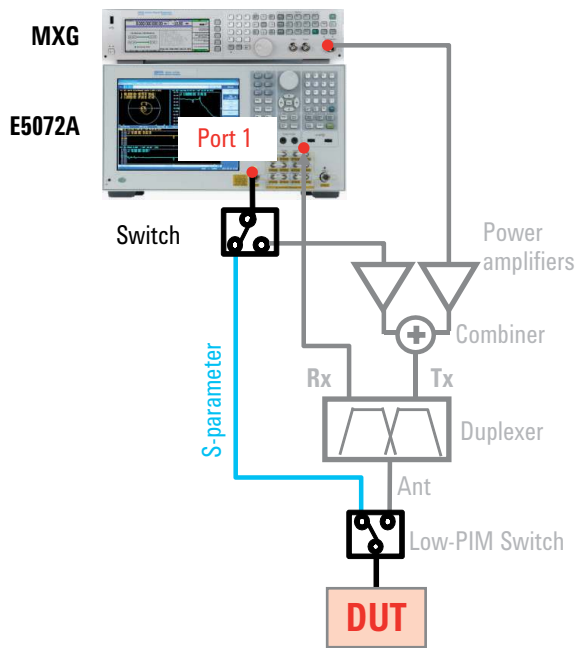
- Base transceiver station (BTS)/module manufacturers
- BTS component manufacturers
(duplexer, filter, cable)
- Handset component manufacturers
(duplexer, switches)

Key features	Benefits
Low PIM performance of -160 dBc	Minimize test system PIM level
Guaranteed 0.03 dB Insertion Loss repeatability	Ensures accuracy and reduces uncertainty
Guaranteed 3 million cycle per section	Reduces cost of test and ensures reliability of the test system life expectancy
Excellent isolation	Minimize cross-talk between channel

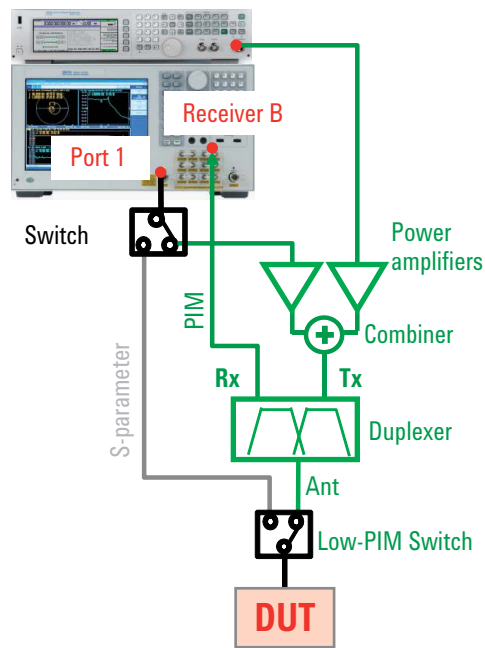
Typical application



The low PIM switches are used to extend the capability of the PIM tester to test two or more DUTs at a time, or it can be used to test a DUT with multiple lanes with a single connection. This automated test setup saves you time and resources.



(1) S-parameter measurement



(2) PIM measurement

With the help of low PIM switch, both PIM and S-parameter measurements can be performed without changing physical connections on the DUT. This reduces time spent connecting and disconnecting the DUT and significantly improves your overall test throughput.

Specification

	Frequency range	SWR (max)	Insertion loss (dB)	Isolation (dB, min)	PIM level (nominal)	Operating life cycle (min)	Insertion loss repeatability (max)	Maximum power rating
87104P/Q/R 87106P/Q/R	DC to 26.5 GHz	1.20 at 4 GHz 1.35 at 12.4 GHz 1.45 at 20 GHz 1.70 at 26.5 GHz	0.3 + 0.015 f, where f is specified in GHz	100 at 2 GHz 82 at 12.4 GHz 72 at 20 GHz 65 at 26.5 GHz	-160 dBc			
87222R	DC to 26.5 GHz	1.15 at 4 GHz 1.25 at 12.4 GHz 1.40 at 20 GHz 1.65 at 26.5 GHz	0.3 + 0.025 f, where f is specified in GHz	120 - 2 f, where f is specified in GHz	-160 dBc			Hot switching: 1 W CW
87406Q 87606Q	DC to 20 GHz	1.21 at 4 GHz 1.35 at 10 GHz 1.50 at 15 GHz 1.70 at 18 GHz 1.90 at 20 GHz	0.34 + 0.033 f, where f is specified in GHz	100 at 2 GHz 82 at 12.4 GHz 72 at 20 GHz	-160 dBc	3 million	0.03 dB	Cold Switching: 150 W CW at 3 GHz, 25 °C 120 W CW at 4.2 GHz, 25 °C
N1810T N1810U N1811T N1812U	DC to 26.5 GHz	1.15 at 4 GHz 1.25 at 12.4 GHz 1.30 at 20 GHz 1.60 at 26.5 GHz	0.35 + (0.45/26.5) f, where f is specified in GHz	95 at 2 GHz 80 at 26.5 GHz	-160 dBc			

Related literature

Publication title	Publication type	Publication number
Keysight Low PIM Coaxial Switches DC to 26.5 GHz	Data sheet	5991-3195EN

myKeysight

myKeysight

www.keysight.com/find/mykeysight

A personalized view into the information most relevant to you.



www.axistandard.org

AdvancedTCA® Extensions for Instrumentation and Test (AXIe) is an open standard that extends the AdvancedTCA for general purpose and semiconductor test. Keysight is a founding member of the AXIe consortium. ATCA®, AdvancedTCA®, and the ATCA logo are registered US trademarks of the PCI Industrial Computer Manufacturers Group.



www.lxistandard.org

LAN eXtensions for Instruments puts the power of Ethernet and the Web inside your test systems. Keysight is a founding member of the LXI consortium.



www.pxisa.org

PCI eXtensions for Instrumentation (PXI) modular instrumentation delivers a rugged, PC-based high-performance measurement and automation system.



Three-Year Warranty

www.keysight.com/find/ThreeYearWarranty

Keysight's commitment to superior product quality and lower total cost of ownership. The only test and measurement company with three-year warranty standard on all instruments, worldwide.



Keysight Assurance Plans

www.keysight.com/find/AssurancePlans

Up to five years of protection and no budgetary surprises to ensure your instruments are operating to specification so you can rely on accurate measurements.



www.keysight.com/quality

Keysight Technologies, Inc.
DEKRA Certified ISO 9001:2008
Quality Management System

Keysight Channel Partners

www.keysight.com/find/channelpartners

Get the best of both worlds: Keysight's measurement expertise and product breadth, combined with channel partner convenience.

www.keysight.com/find/lowpim

www.keysight.com/find/mta

For more information on Keysight Technologies' products, applications or services, please contact your local Keysight office. The complete list is available at: www.keysight.com/find/contactus

Americas

Canada	(877) 894 4414
Brazil	55 11 3351 7010
Mexico	001 800 254 2440
United States	(800) 829 4444

Asia Pacific

Australia	1 800 629 485
China	800 810 0189
Hong Kong	800 938 693
India	1 800 112 929
Japan	0120 (421) 345
Korea	080 769 0800
Malaysia	1 800 888 848
Singapore	1 800 375 8100
Taiwan	0800 047 866
Other AP Countries	(65) 6375 8100

Europe & Middle East

Austria	0800 001122
Belgium	0800 58580
Finland	0800 523252
France	0805 980333
Germany	0800 6270999
Ireland	1800 832700
Israel	1 809 343051
Italy	800 599100
Luxembourg	+32 800 58580
Netherlands	0800 0233200
Russia	8800 5009286
Spain	0800 000154
Sweden	0200 882255
Switzerland	0800 805353
	Opt. 1 (DE)
	Opt. 2 (FR)
	Opt. 3 (IT)
United Kingdom	0800 0260637

For other unlisted countries:
www.keysight.com/find/contactus
(BP-07-01-14)

